



DIRECT EXPANDED PUFF EXTRUDERS (MEFEDE series)



MALIK'S PUFF Or Direct Expanded Extruders are designed as high shear Extruders and suitable for making expanded snacks from Corn, Rice, Tapioca, etc. either singly or as mix. Clean construction is maintained for good hygiene of products. High capacity motor provides 3 output capacities- 50, 100 and 150 Kg/hour in 3 models. In such Extruder, the entire heat for cooking is supplied by the shear heat due to high speed of screw rotation.

Vibratory or Screw feeder provided for material feeding.
Nitrided Screw/Barrel are standard accessory for long life.

Various die shapes are available.

Ancillary machines like Raw materials mixer, Roaster, Coating Pans also manufactured by us.

Examples of expanded products manufactured....





DIRECT EXPANDED PUFF EXTRUDERS (Ancillaries section)



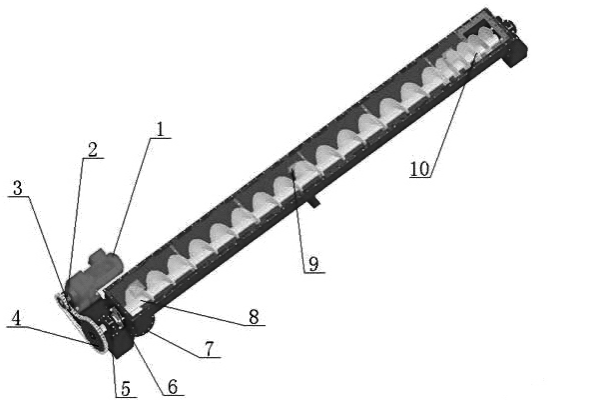
Materials Mixer



Batch Coating pan



Coating pan continuous



1. reducer 2. active chain wheel 3. chain 4. idle chain wheel 5. bearing supports 6. packing seal devices
7. out form the exit 8. flight 9. view window 10. input

Inclined Conveyor. May shift materials from Mixer to Extruder, and also from Extruder Cutter to Roaster/Drier



Continuous Roaster Drier
May be arranged as Multiple decks for high capacity

Manufacturers:

MALIK ENGINEERS

Unit-1, Shailesh Ind. Estate-1, Navghar, Vasai(East)-401 210, M.S., India. Telefax: 91 250 390839
Off: B-203, Atlanta, Evershine nagar, Malad(West),Mumbai-400 064, India. Telefax: 91 22 8830751
Email: info@malikengg.com website: www.malikengg.com